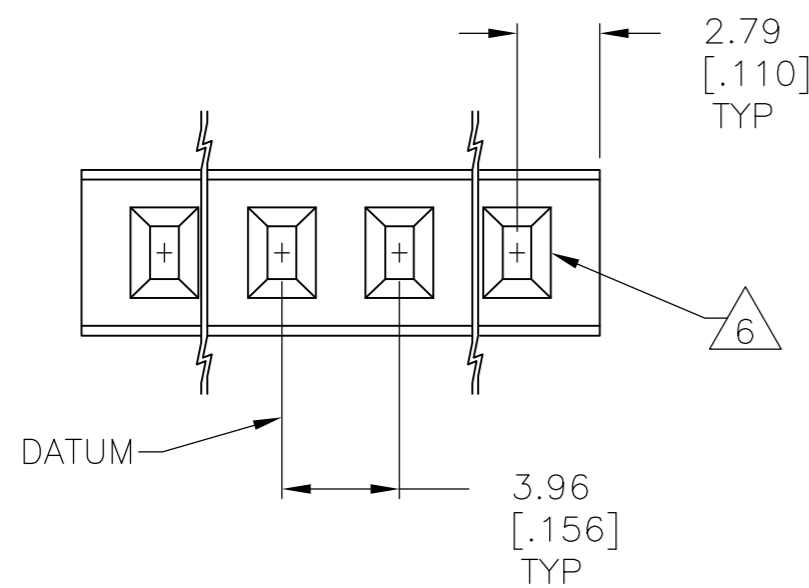
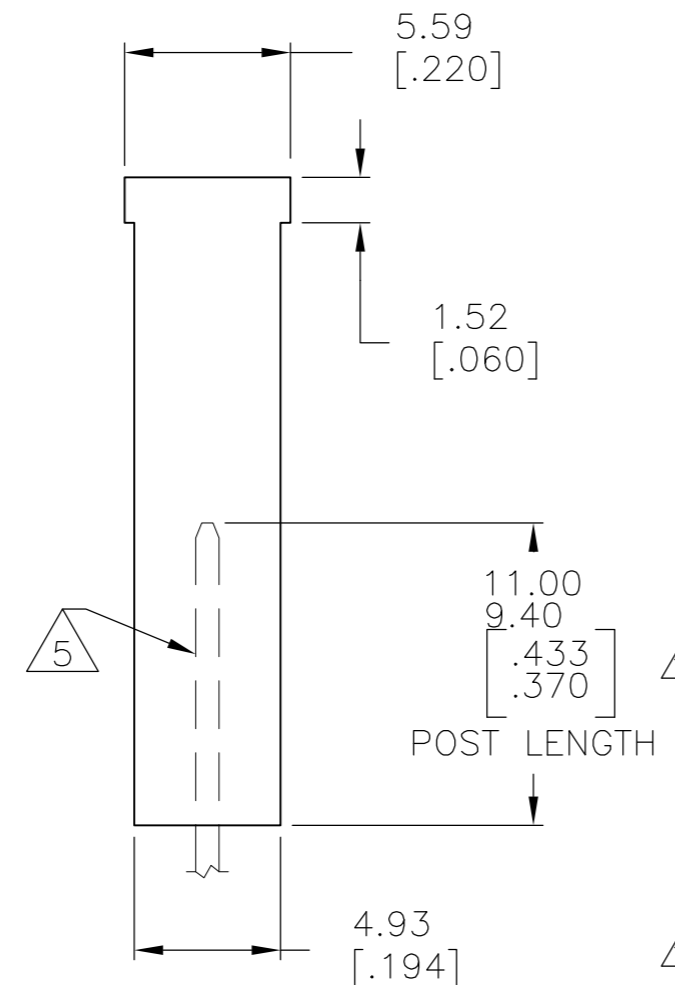
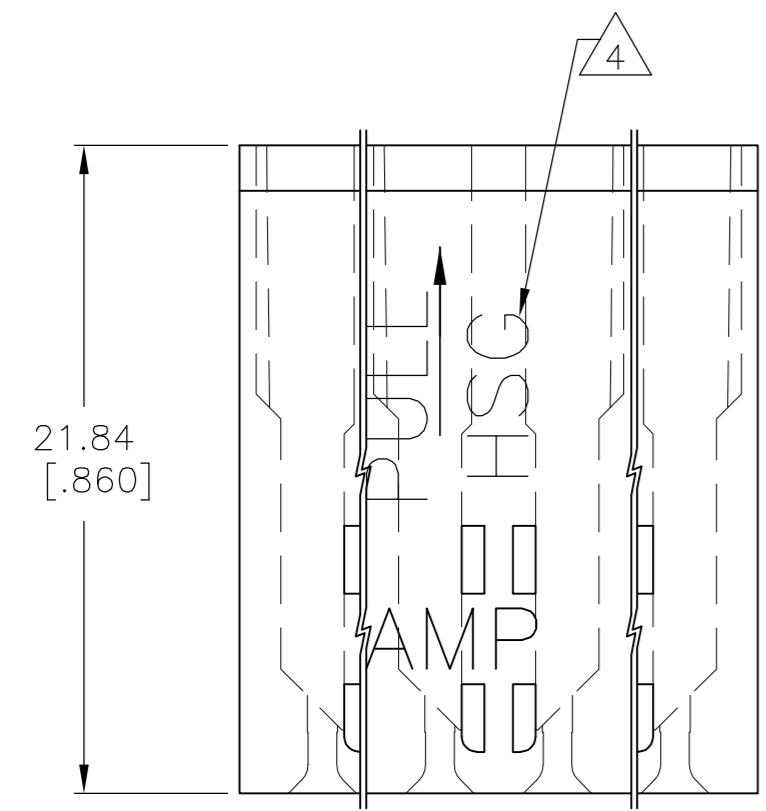
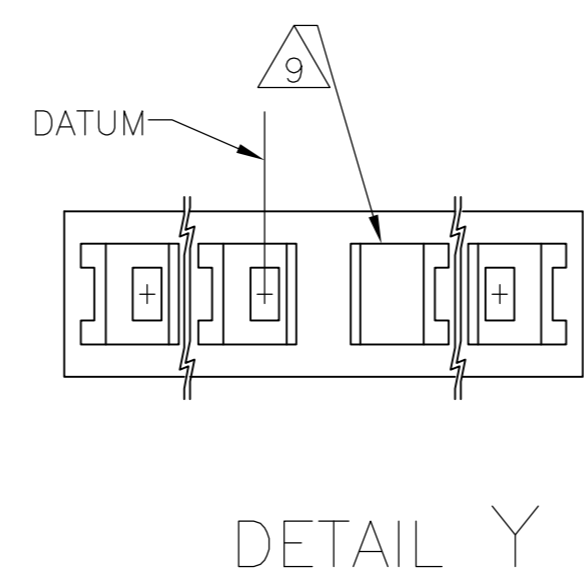
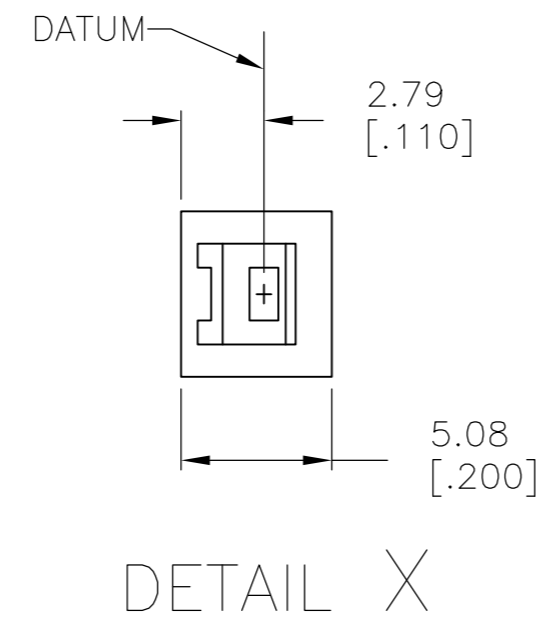
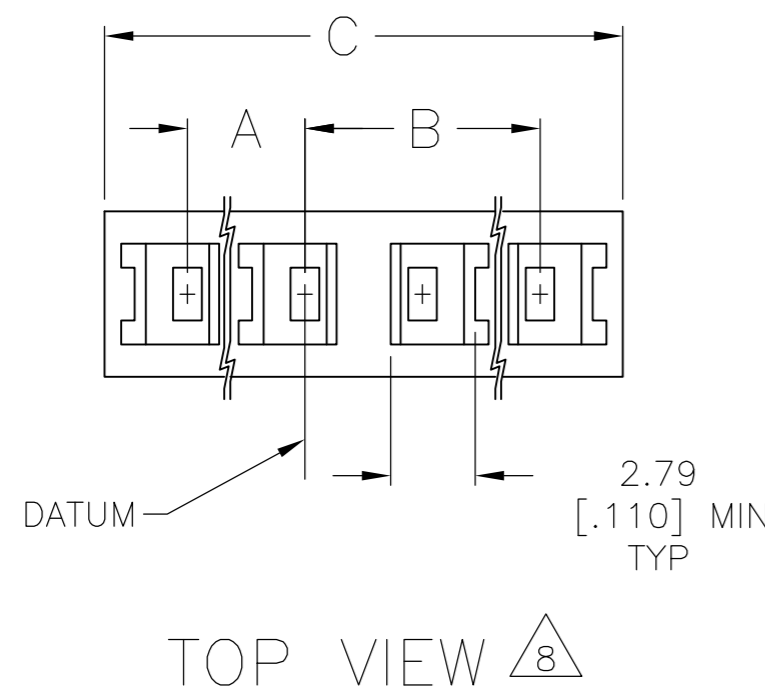


THIS DRAWING IS UNPUBLISHED. RELEASED FOR PUBLICATION
 © COPYRIGHT - By - ALL RIGHTS RESERVED.

LOC		DIST		REVISIONS			
AD	00	P	LTR	DESCRIPTION	DATE	DWN	APVD
		J3		REVISED PER ECO-13-004580	26APR13	KH	JO



- 1 PULL ON HOUSING TO REMOVE FROM POSTS. DO NOT CONFINE THE CONDUCTORS OR PULL ON THE CONDUCTORS DURING REMOVAL ACTION.
 - 2 IN ORDER FOR THIS HOUSING TO FUNCTION PROPERLY AS A CONNECTOR, THE CONTACTS (P/N 87278 SERIES) MUST BE CRIMPED ACCORDING TO AMP SPEC 114-25008.
- $\triangle 4$ MOLDED CHARACTERS THIS END.
 - $\triangle 5$.79[.031] X 1.57[.062] POST SHOWN FOR REFERENCE ONLY.
 - $\triangle 6$ CAVITY ACCEPTS 0.79[.031] X 1.57[.062] POST (TYPICAL).
 - $\triangle 7$ BOLD CAVITY INDICATES TYPICAL DATUM.
 - $\triangle 8$ THIS VIEW TO BE REFERENCED WITH CAVITY ORIENTATION CHART.
 - $\triangle 9$ NO POST ENTREE HOLE IN THIS LOCATION.
 - $\triangle 10$ SEE DETAIL X.
 - $\triangle 11$ SEE DETAIL Y.
 - $\triangle 12$ OBSOLETE PART NUMBER.
 - $\triangle 13$ OBSOLETE PARTS: OBSOLETE CIS STREAMLINING PER D.RENAUD/D.SINISI

$\triangle 13$ OBSOLETE		53.14 [2.092]	23.77 [.936]	23.77 [.936]	13	1-87270-8
$\triangle 13$ OBSOLETE		45.21 [1.780]	19.81 [.780]	19.81 [.780]	11	1-87270-7
		37.29 [1.468]	15.85 [.624]	15.85 [.624]	9	1-87270-6
		29.36 [1.156]	11.89 [.468]	11.89 [.468]	7	1-87270-5
		21.44 [.844]	7.92 [.312]	7.92 [.312]	5	1-87270-4
		13.51 [.532]	3.96 [.156]	3.96 [.156]	3	1-87270-3
		25.40 [1.000]	11.89 [.468]	7.92 [.312]	5 OF 6	1-87270-2
$\triangle 13$ OBSOLETE		29.36 [1.156]	11.89 [.468]	11.89 [.468]	6 OF 7	1-87270-1
		21.44 [.844]	7.92 [.312]	7.92 [.312]	4 OF 5	1-87270-0
$\triangle 12$		57.10 [2.248]	27.74 [1.092]	23.77 [.963]	14	87270-9
		49.17 [1.936]	23.77 [.936]	19.81 [.780]	12	87270-8
		41.25 [1.624]	19.81 [.780]	15.85 [.624]	10	87270-7
		33.32 [1.312]	15.85 [.624]	11.89 [.468]	8	87270-6
		25.40 [1.000]	11.89 [.468]	7.92 [.312]	6	87270-5
		17.48 [.688]	7.92 [.312]	3.96 [.156]	4	87270-4
$\triangle 12$		17.48 [.688]	7.92 [.312]	3.96 [.156]	3 OF 4	87270-3
		9.55 [.376]	-	-	2	87270-2
		5.08 [.200]	-	-	1	87270-1

CAVITY ORIENTATION CHART C B PART NUMBER

THIS DRAWING IS A CONTROLLED DOCUMENT.

DIMENSIONS: mm [INCHES]	TOLERANCES UNLESS OTHERWISE SPECIFIED: 0 PLC ± - 1 PLC ± - 2 PLC ± - 3 PLC ± 0.13 [.005] 4 PLC ± - ANGLES ± -	DWN E.BRANDBERG 25FEB93 CHK SCOTT A. SHUEY 25FEB93 APVD SCOTT A. SHUEY 25FEB93 PRODUCT SPEC APPLICATION SPEC WEIGHT -	NAME HOUSING, LOCKING CLIP, SINGLE ROW, .156 CENTERS FOR .031 X .062 POST
MATERIAL GLASS FILLED POLYESTER COLOR: BLACK	FINISH -	SIZE A2 CAGE CODE 00779 DRAWING NO C-87270 RESTRICTED TO -	SCALE 4:1 SHEET 1 OF 1 REV J3

TE Connectivity